

Printer Controller Type 850 (B336)

PARTS CATALOG

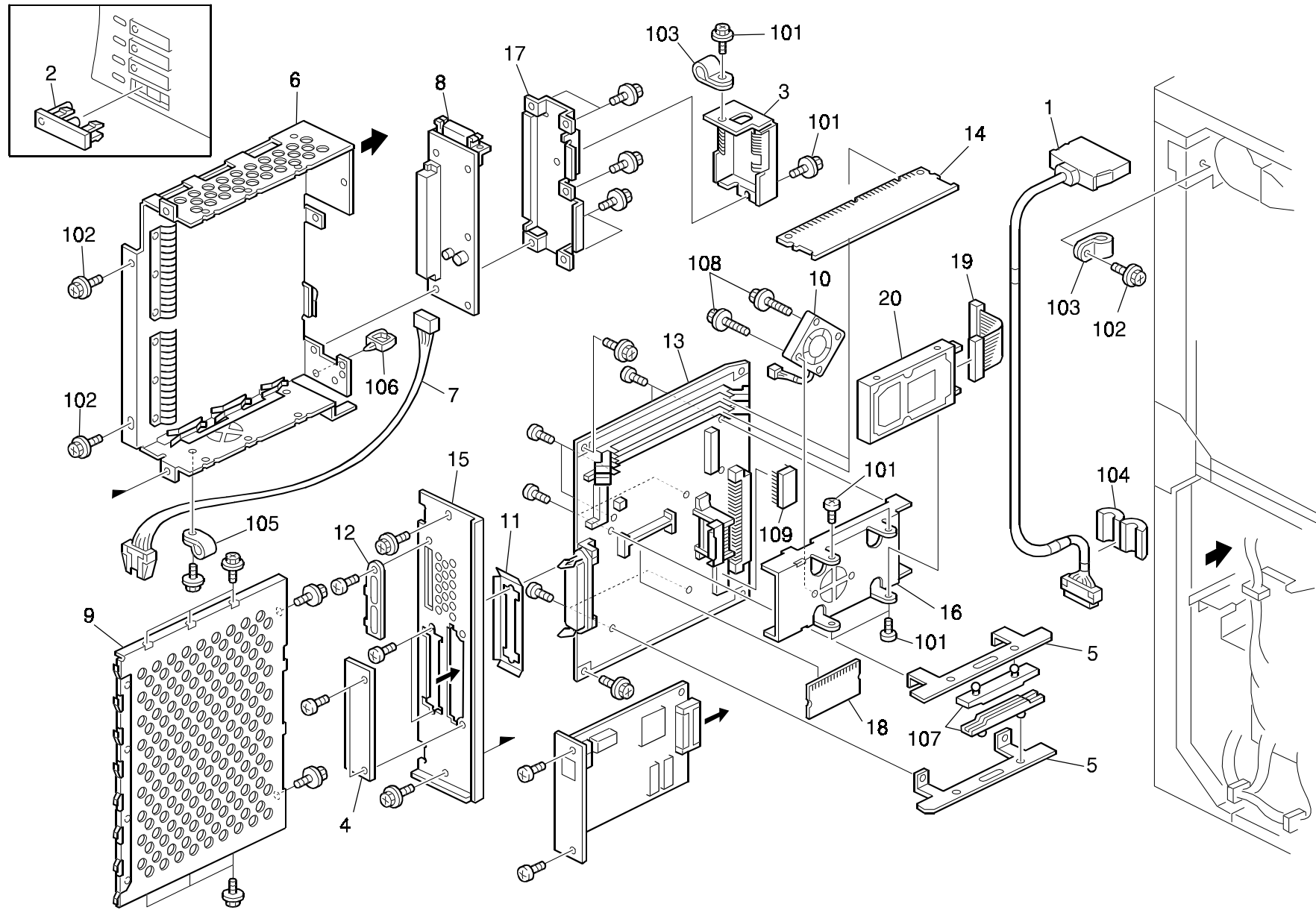
INTRODUCTION

This chapter instructs you the numbers and names of parts on this machine.


INDEX to PARTS CATALOG

1.C1A PRINTER CONTROLLER (B336)	2
PARTS INDEX	5

1.C1A PRINTER CONTROLLER (B336)



1.C1A PRINTER CONTROLLER (B336)

Index No.	Part No.	Description	Q'ty Per Assembly
1	B316 5450	Video Harness	1
2	B335 1450	Keytop - Printer NA	1
2	B335 1451	Keytop - Printer EU	1
3	B336 5400	Connector Cover Ass'y	1
4	G020 5849	Upper Cover - V20	1
5	B336 5415	Bracket - Loneos	2
6	B316 5400	Bracket - Control Board Ass'y	1
7	B316 5451	Power Source Harnes	1
8	B317 5200	Mother Board Ass'y	1
9	B317 5402	Cover - Control Board Bracket	1
10	AX64 0118	Fan Motor - 15mm 5V	1
11	A235 5801	Shield Plate - Centronics	1
12	A850 5862	Cover - IC Card	1
13	B336 5200	Control Board Ass'y	1
14	B336 5303	IC - PC100 32Mb	1
15	B336 5405	DRUM Stay Control Board	1
16	B336 5410	HDD Bracket Loneos	1
17	B336 5409	Mother Board Cover Ass'y	1
18	B338 5000	PCB - PS	1
19	B349 5450	HDD Harness	1
20	B349 7000	HD - MK6014MAP	1
			

Index No.	Part No.	Description	Q'ty Per Assembly
101	0451 3006B	Tapping Screw - M3x6	
102	0451 4008B	Philips Tapping Screw - M4x8	
103	1105 0306	Metal Clamp - Al-4	
104	1607 0672	Ferrite Core	
105	1105 0005	Nylon Clamp - 3n	
106	1105 0265	Clamp	
107	1005 0808	Guide Rail - C/T	
108	0313 0180B	Philips Pan Head Screw - M3x18	
109	1407 5243	RAM - STK16C88-W45	

PARTS INDEX

Part No.	Description	Page and Index No.
B336 5200	Control Board Ass'y	3- 13
B336 5303	IC - PC100 32Mb	3- 14
B336 5400	Connector Cover Ass'y	3- 3
B336 5405	DRUM Stay Control Board	3- 15
B336 5409	Mother Board Cover Ass'y	3- 17
B336 5410	HDD Bracket Loneos	3- 16
B336 5415	Bracket - Loneos	3- 5

Part No.	Description	Page and Index No.
AX64 0118	Fan Motor - 15mm 5V	3- 10

Part No.	Description	Page and Index No.
A235 5801	Shield Plate - Centronics	3- 11
A850 5862	Cover - IC Card	3- 12

Part No.	Description	Page and Index No.
B316 5400	Bracket - Control Board Ass'y	3- 6
B316 5450	Video Harness	3- 1
B316 5451	Power Source Harnes	3- 7
B317 5200	Mother Board Ass'y	3- 8
B317 5402	Cover - Control Board Bracket	3- 9
B335 1450	Keytop - Printer NA	3- 2
B335 1451	Keytop - Printer EU	3- 2
B338 5000	PCB - PS	3- 18
B349 5450	HDD Harness	3- 19
B349 7000	HD - MK6014MAP	3- 20
G020 5849	Upper Cover - V20	3- 4

Part No.	Description	Page and Index No.
0313 0180B	Philips Pan Head Screw - M3x18	3-108
0451 3006B	Tapping Screw - M3x6	3-101
0451 4008B	Philips Tapping Screw - M4x8	3-102
1005 0808	Guide Rail - C/T	3-107
1105 0005	Nylon Clamp - 3n	3-105
1105 0265	Clamp	3-106
1105 0306	Metal Clamp - Al-4	3-103
1407 5243	RAM - STK16C88-W45	3-109
1607 0672	Ferrite Core	3-104

Part No.	Description	Page and Index No.